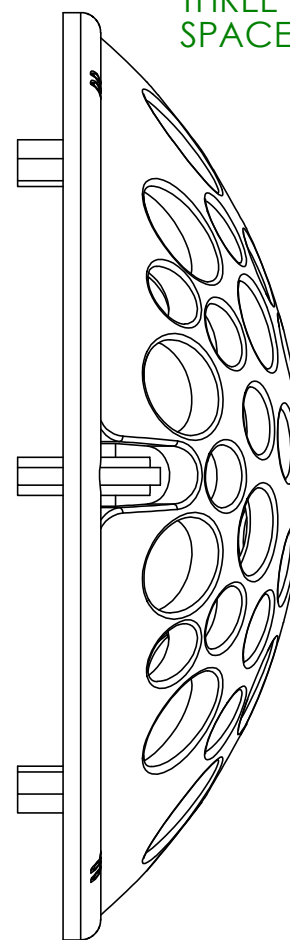
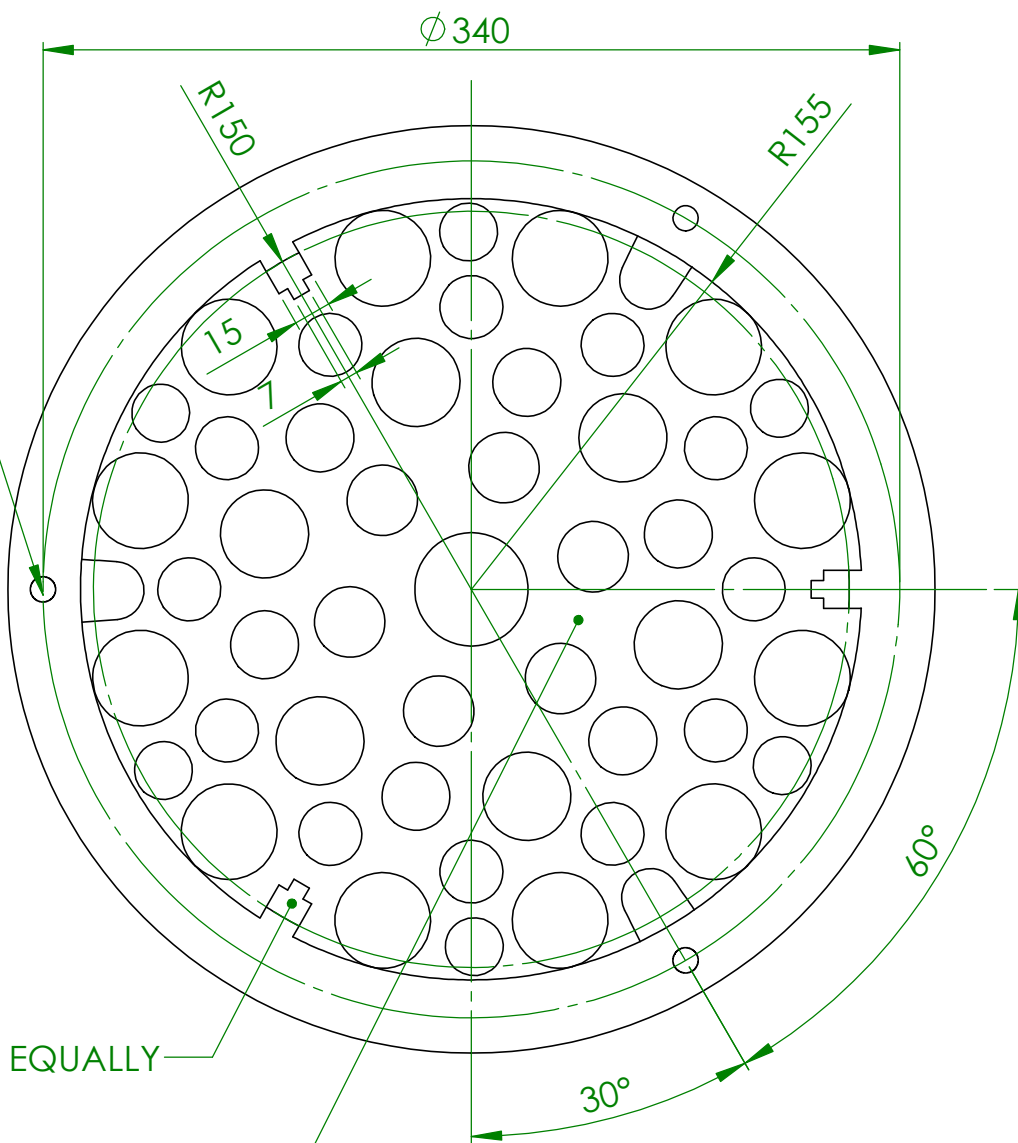


THREE BOLT HOLES SPACED EQUALLY



THREE OFF SPACED EQUALLY



DRAWING NO. & FOUNDRY CODE & BATCH NO. LOCATED UNDERSIDE

NOTE:
1.FLOW AREA IS 36.5cm²;
2.INTERIOR DIAMETER OF PLASTIC TELESCOPE PIPE IS 315MM.

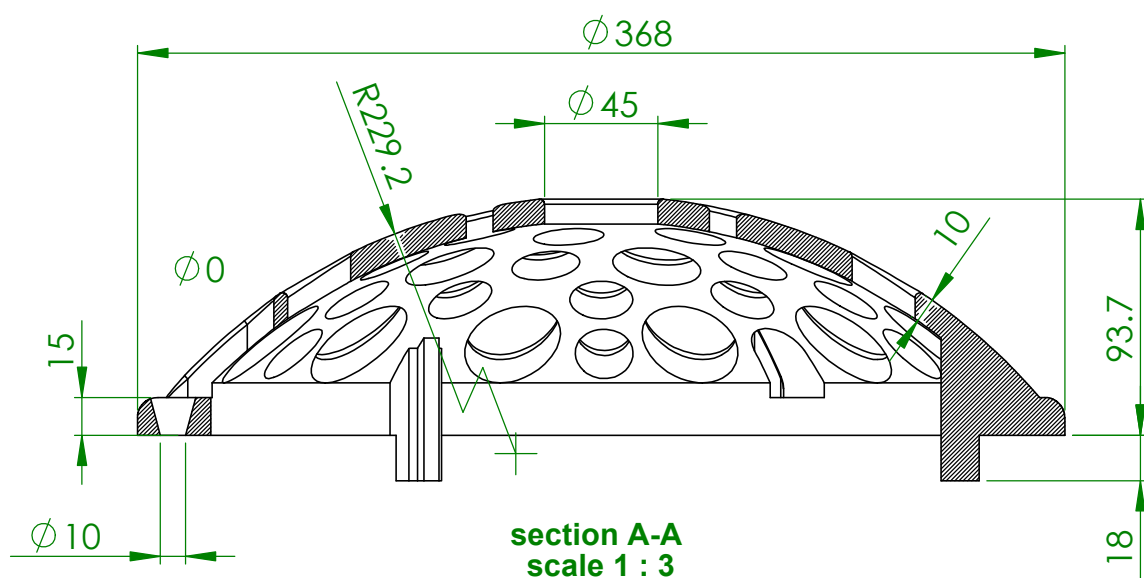
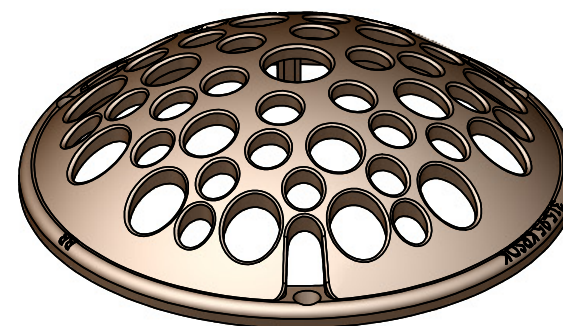
OPTIONS>>

CODE	COATING
2802	HOT DIP GLAV.
2812	PAINTING

2802



2812



REVISION	No	DATE	DESCRIPTION	BY	CKD.
C	23-07-2012	Weight was 8.5KG	ZX.Y	ZS.S	
B	19-05-2010	REDRAWED	ZS.S	ZX.Y	

UNLESS OTHERWISE STATED
DIMENSIONS ARE IN MILLIMETERS
CASTING RADII 3-5mm
DRAFT TAPERS 2°

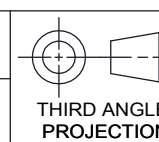
CAST TOLERANCE
LINEAR

CASTING DIM	TOLERANCE (+/-)
100mm	2.0mm
100-400mm	2.8mm
400-1000mm	3.8mm
1000-1600mm	4.6mm
1600-2500mm	5.4mm

CASTING TOLERANCE
ANGULAR ± 0.5°
DENOTES
MACHINED SURFACE ✓



PRT. No: **2802 & 2812**
MATERIAL: GJS500



TITLE: 315 Dome Jarsberg for plastic telescope pipe		VERSION: A3	DESIGN WEIGHT: 8 kg
DRAWN: ZS.S	SCALE: N.T.S.	VERSION: A3	DESIGN WEIGHT: 8 kg
CHECKED: ZX.Y	DRG. No: 2802&2812	SHT 1	1
DATE: 19-05-2010			